

---

**BULLETIN 2004-009-EL**

*Revised September 4, 2015*

---

## **LOCATION OF PANELBOARDS IN BUILDINGS**

---

This bulletin clarifies the requirements of the Canadian Electrical Code, Part I (CEC) regarding the location of service boxes, panelboards and similar serviceable electrical equipment in buildings.

### **BACKGROUND**

The CEC contains various rules which regulate the location of service boxes, panelboards and similar serviceable electrical equipment (control panels, motor control centers, fire alarm control units, etc.). For example: Rule 6-206(1) provides the installation requirements for service boxes, Rule 14-406 mandates ready access to control devices, Rule 26-402 governs the location of panelboards in dwelling units. The purpose of these CEC requirements are to achieve an acceptable level of electrical and fire safety. It is intended by the Code that the necessary electrical and fire safety conditions will be met if the electrical equipment is installed in accordance with the applicable rules of the CEC and maintained in conformance with Rules 2-300 to 2-324. Rule 2-312 specifically requires accessibility to panelboards for equipment maintenance. This Rule states that passageways and working space around electrical equipment shall not be used for storage and shall be kept clear of obstruction and so arranged as to give authorized persons ready access to all parts requiring attention. Traditionally, storage rooms (regardless of whether such a storage room is located in a dwelling unit or in any other part of a building) are not permitted to be used for the installation of service boxes, panelboards and similar electrical equipment. These storage rooms are considered undesirable places under provisions of Rule 6-206(1)(c)(v), Rule 26-402(1), etc.

### **REQUIREMENTS**

The installation of panelboards in storage rooms is not permitted.

Exception: A panelboard and similar serviceable electrical equipment may be installed in a storage room when the panelboard is located without being obstructed by material or objects intended to be stored in the storage room.

Typical examples of an acceptable location of a panelboard in a storage room are shown in the attachment.

(Original signed by)

(Original signed by)

---

W. White  
MANAGER, TRADES INSPECTION  
DEPUTY CITY ELECTRICIAN

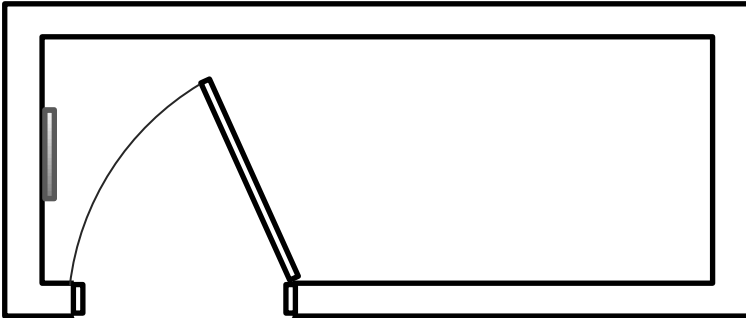
---

P. Ryan, M.Sc., P.Eng.  
CHIEF BUILDING OFFICIAL  
DIRECTOR, BUILDING CODE & POLICY

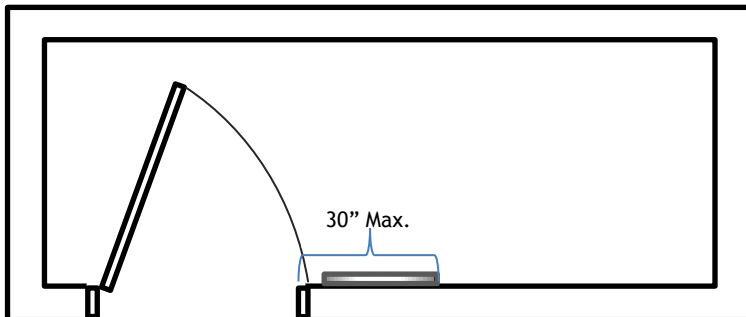
Attachment

## LOCATION OF PANELBOARDS IN BUILDINGS

1. Ideal location



2. Preferred location (a warning label is to be provided at the panelboard, indicating that the working space around the panelboard must not be used for storage and shall be kept clear of obstruction for ready access).



3. Alternate location choice (a warning label is to be provided at the panelboard, indicating that the door must be secured and working space around the panelboard not be used for storage).

